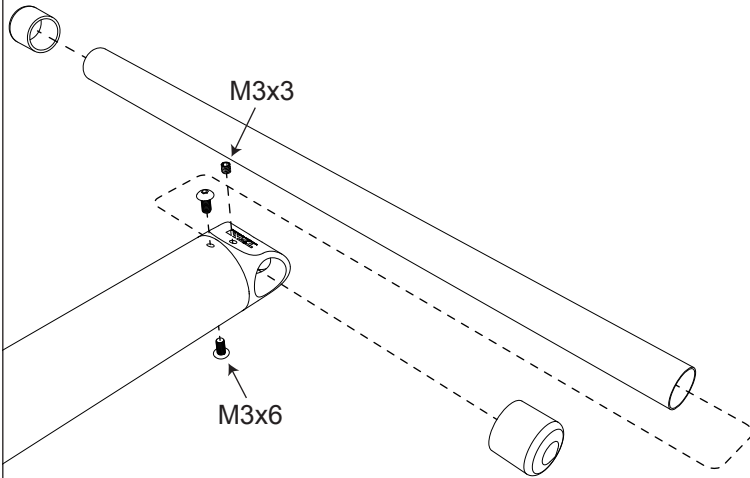
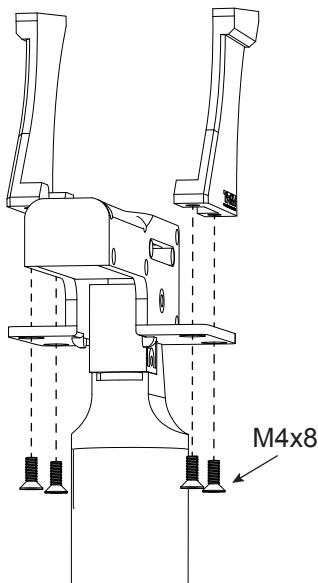


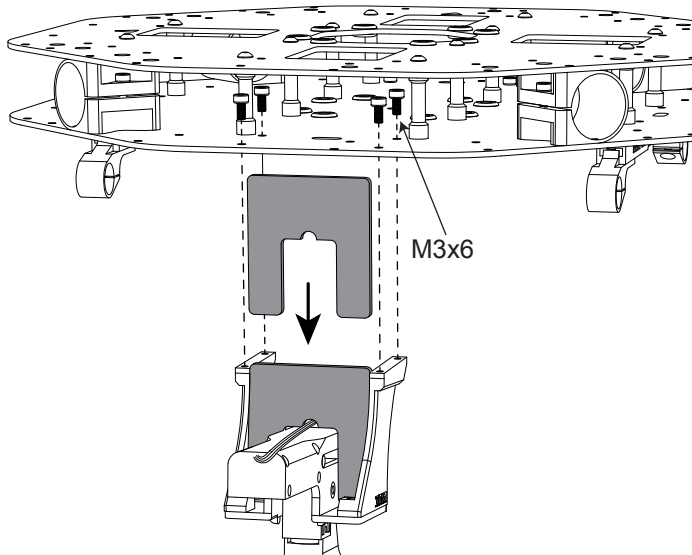
- 1** Assemble Landing gear T shaped part as below pictured.
將腳架T管如下圖組裝。



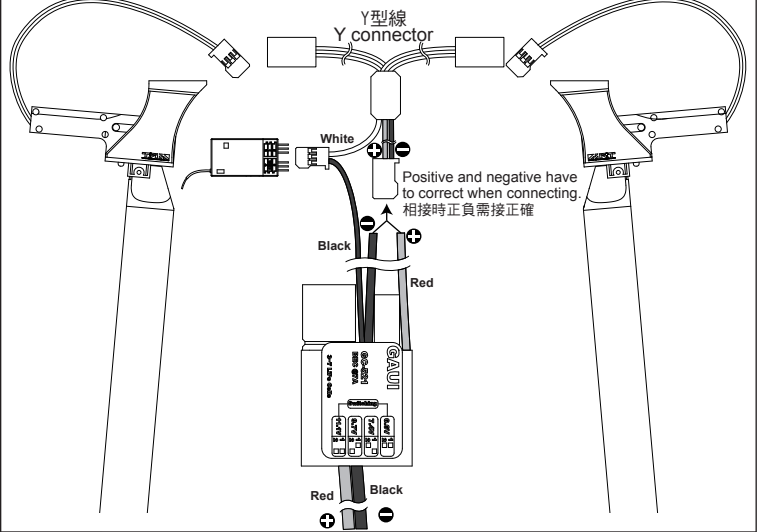
- 2** Assemble Folding Landing Gear as this illustration.
將折合腳架座如圖組裝。



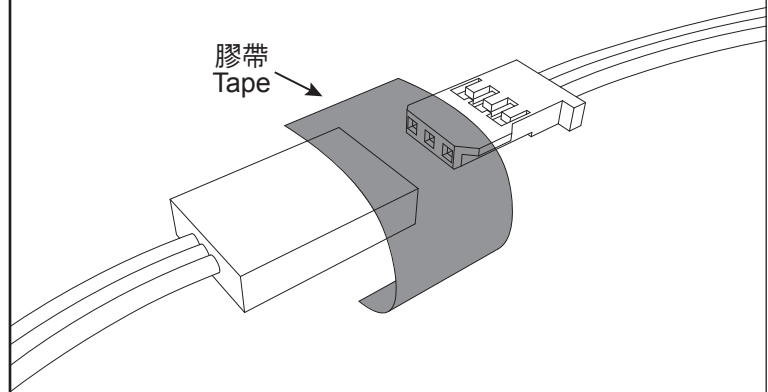
- 3** Install reinforce board into folding landing gear, then use M3X6 screws secure the landing gear.
先將折合腳架強化片置入折合腳架座，再用M3x6螺絲固定腳架。



- 4** Connect two landing gear wires with Y connector, then connect Y connector to BEC and receiver as picture shows. Please choose proper channel when connect the Y connector and receiver.
將兩組腳架訊號線與Y型線連接，再將Y型線如圖連接於BEC及接收機，連接時請選擇合適的遙控器通道。



- 5** Use tape to secure the cable connections in step 4 to avoid the cables being disconnected during flight.
使用膠帶將步驟4的連接好的接線端加以固定，以避免飛行時脫落。



- 6** Please lift the 840H and test the folding landing gear after complete the installation.
Attention: There is about 1~1.5 second of delay between on/off switch, do not repeat on/off switch operation within short period of time.
安裝完成後請將機體抬離地面並測試收腳是否順暢及有無干涉。
注意：每次扳動開關後會有1~1.5秒緩衝作動時間，不可連續開關。

