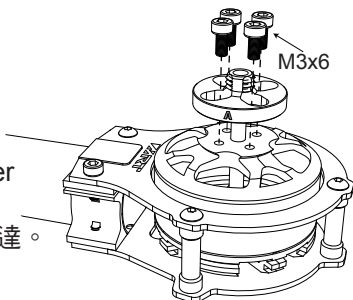


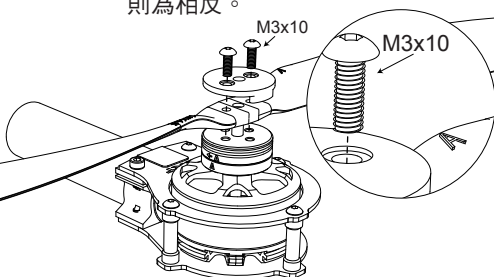
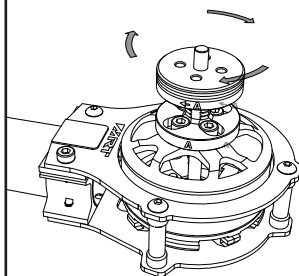
Fix the self-tight lower hub on motor.
將自緊槳下座鎖於馬達。



self-tight Lower hub (A) needs to pair with self-tight upper hub (A), the arrow mark on upper hub is the tighten direction (clockwise).

self-tight Lower hub (B) needs to pair with self-tight upper hub (B), the arrow mark on upper hub is the tighten direction (counter-clockwise)

自緊槳下座 (A) 需配自緊槳上座 (A)，以上座箭頭方向鎖緊 (順時針)。自緊槳座 (B) 則為相反。



Please fix prop(A) (counter-clockwise props) in self-tight hub(A) block, as shown above.

將A槳 (逆時針旋轉槳) 鎖於自緊槳座組 (A)，如上圖。